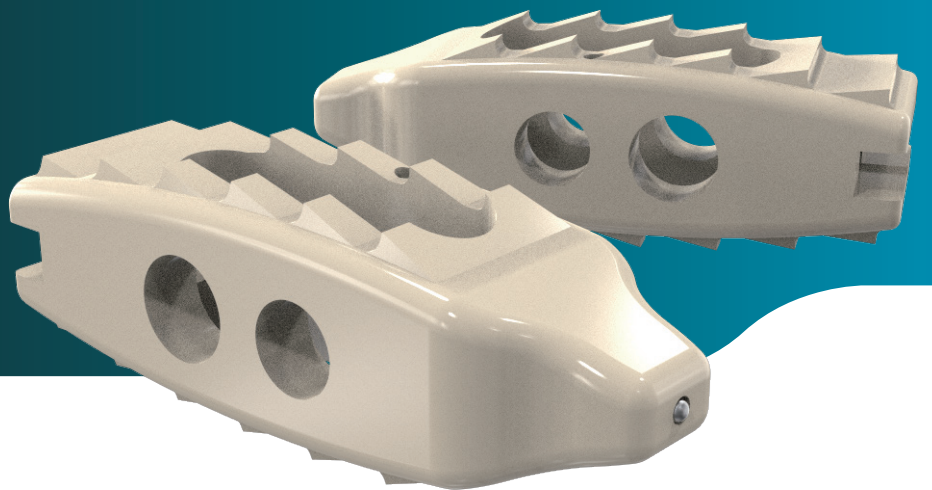
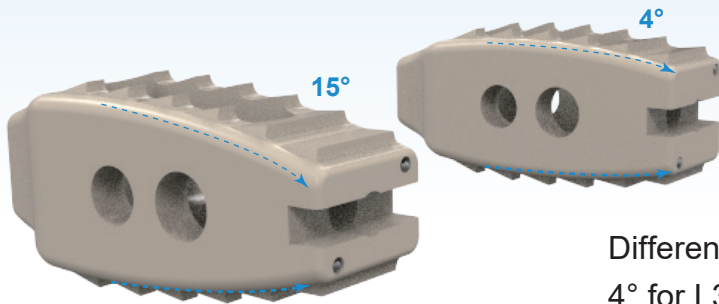


G-Cage





G-CAGE

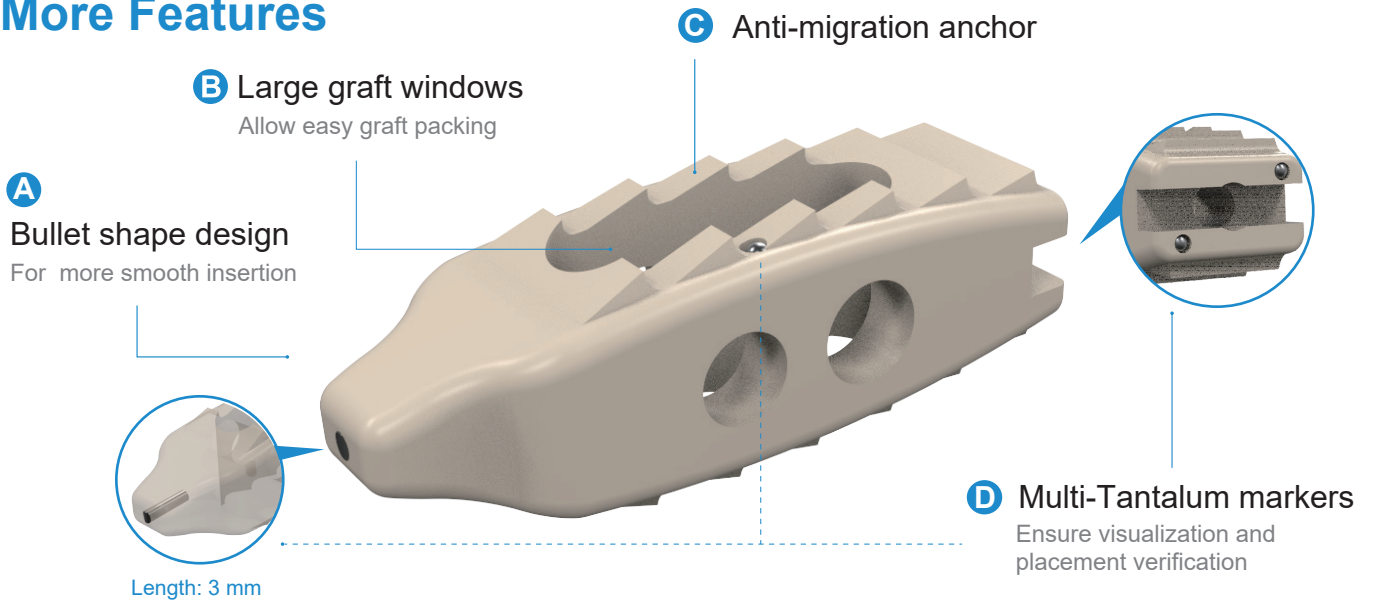


Variety Lordosis Angles

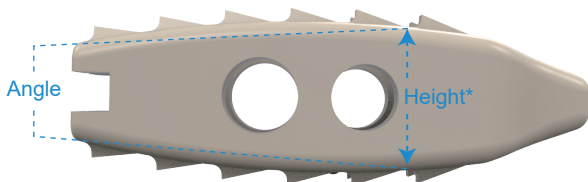
There are variety lordosis angles for spinal alignment and sagittal balance.

Different Lordosis angles for optimum reconstruction.
4° for L3-L4; 8° for L4-L5; 12° or 15° for L5-S1

More Features



Specification



*Upper and lower teeth are not included in height measurement.
Total Teeth height is 1.5 mm.

| REF | Height (mm) | Angle (°) | REF | Height (mm) | Angle (°) |
|-----------|-------------|-----------|-----------|-------------|-----------|
| 2700-4008 | 8 | 4 | 2700-8012 | 12 | 8 |
| 2700-4009 | 9 | 4 | 2700-8013 | 13 | 8 |
| 2700-4010 | 10 | 4 | 2700-1210 | 10 | 12 |
| 2700-4011 | 11 | 4 | 2700-1211 | 11 | 12 |
| 2700-4012 | 12 | 4 | 2700-1212 | 12 | 12 |
| 2700-4013 | 13 | 4 | 2700-1213 | 13 | 12 |
| 2700-8009 | 9 | 8 | 2700-1511 | 11 | 15 |
| 2700-8010 | 10 | 8 | 2700-1512 | 12 | 15 |
| 2700-8011 | 11 | 8 | 2700-1513 | 13 | 15 |



TREND® Intervertebral Spacer System

G-Type Intervertebral Spacer

Instrument List

| Instrument | No. | Description |
|---|-----------------------|------------------------------------|
|  | SMC-2-SSH06Q | Starter Shaver |
|  | 420-07(07)D ~ 07(14)D | Double Grooved Shaver #7 ~ #14 |
|  | 270-40(08) ~ 40(13) | G cage Trial (Lordotic) #8 ~ #13 |
|  | 420-2100 | Lumbar Cage Holder |
|  | NXL-2100 | NEST Lumbar Cage Holder (Gun Type) |
|  | 420-2108 | Final Impactor |
|  | 420-2113 | Straight Pusher |
|  | 420-0101 | T-Handle |
|  | 420-2120 | Bone Impactor |
|  | 420-2205 | Straight Scraper |
|  | 420-2205LR | Curved Curette |
|  | 420-8015 | Cage Socket |
|  | 420-2006 | Graft Compactor |
|  | 420-0506 | Nerve Retractor 6 mm |
|  | 420-0508 | Nerve Retractor 8 mm |
|  | 420-0003 | Instrument Tray |